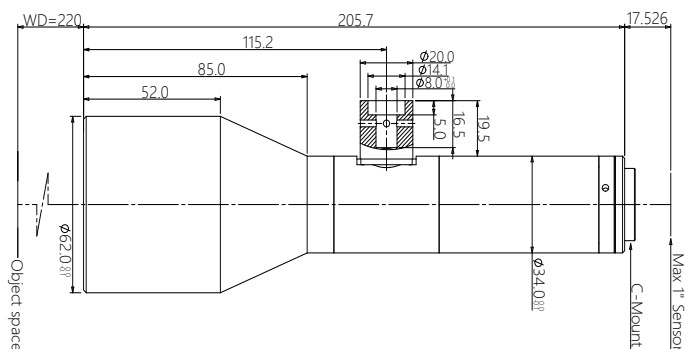


# WWK05-220C-110



## WWK

•	5M~20M		(x)	0.5
•			WD(mm)	220±3
•		AOI	CCD (mm)	16.0(1")
•			F/#	8
•			MTF30 (lp/mm)	>110
•			DoF(mm)	±1.3@F8
•			(% max)	<0.1
•			(° max)	<0.1

(mm x mm)

	C	1" PYTHON 5000 (12.43x9.83)	24.9x19.7
(mm)	205.7	1" IMX255 (14.19x7.51)	28.4x15.0
		1" IMX183 (13.13x8.76)	26.3x17.5

