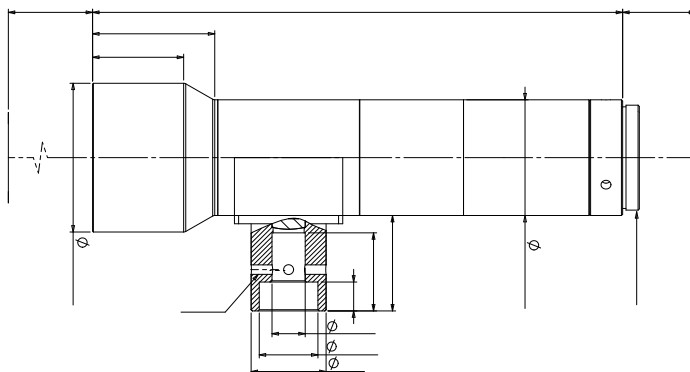


WWK05-110C-230



WWK

•	5M~ 20M		(x)	0.5
•			WD(mm)	110±2
•		AOI	CCD (mm)	11(2/3")
•			F/#	7
•			MTF30 (lp/mm)	>140
•			DoF(mm)	±1.1@ F7
•			(% max)	<0.03
•			(° max)	<0.03

(mm x mm)

	C	1/1.8" EV76C570 (7.2x5.4)	14.4x10.8
(mm)	127.3	1/1.7" IMX226 (7.5x5.6)	15.0x11.2
		2/3" IMX250/264 (8.45x7.1)	16.9x14.2

