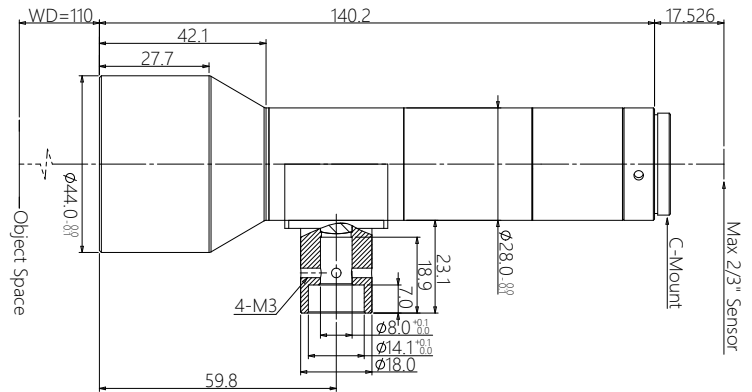


# WWK04-110C-230



## WWK

5M~20M

AOI

(x)

0.4

WD(mm)

110±2

CCD (mm)

11(2/3")

F/#

7

MTF30 (lp/mm)

>140

DoF(mm)

±1.8@F7

(% max)

<0.02

(° max)

<0.03

(mm x mm)

(mm)

C  
140.2

1/1.8" EV76C570 (7.2x5.4)  
1/1.7" IMX226 (7.5x5.6)  
2/3" IMX250/264 (8.45x7.1)

18.0x13.5  
18.8x14.0  
21.1x17.8

