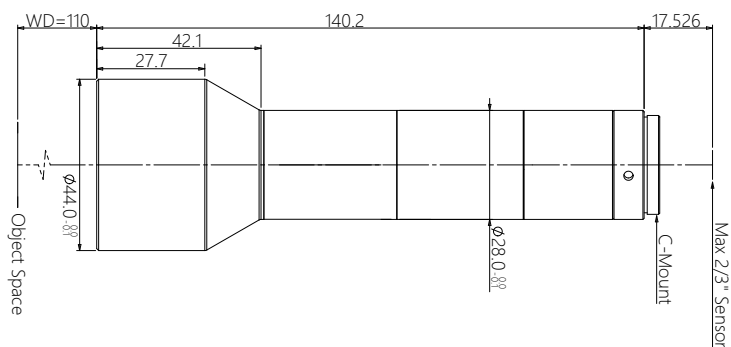


WWK04-110-230



0.4

11(2/3")

7

>140

<0.02

<0.03

C

140.2

