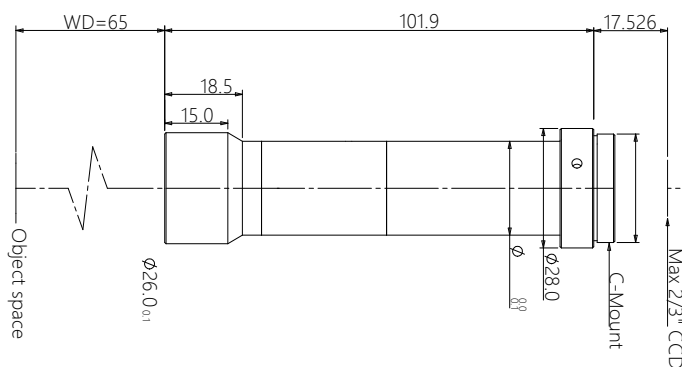


WWH40-65AT



H

CCD	/ /	()	4.0
		D()	65 1
		CCD ()	11(2/3")
		F/#	17.9
		()	<0.1
		(%)	0.13
		A	0.1078
		()	3.1
		()	0.1
		()	
	C	1/2"(6.4 4.8)	1.6 1.2
()	101.9	1/1.8"(7.13 5.37)	1.8 1.3
/	/	2/3"(8.8 6.6)	2.2 1.7

