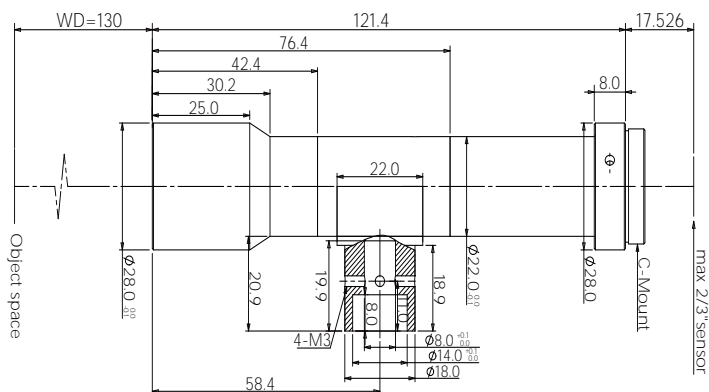


WWH08-130CT



WWH

| | | | | |
|---|---|---|----------|----------|
| • | / | / | (x) | 0.8 |
| • | | | WD(mm) | 130±2 |
| • | | | CCD (mm) | 11(2/3") |
| • | | | F/# | |
| • | | | (° max) | <0.1 |
| • | | | (%) | <0.1 |
| • | | | NA | 0.0316 |
| | | | (um) | 10.6 |
| | | | (mm) | |

(mm x mm)

| | | | | |
|------|---|---|--------------------|----------|
| | | | 1/2" (6.4x4.8) | 8.0x6.0 |
| (mm) | | | 1/1.8" (7.13x5.37) | 8.9x6.7 |
| / | / | / | 2/3" (8.8x6.6) | 11.0x8.3 |

