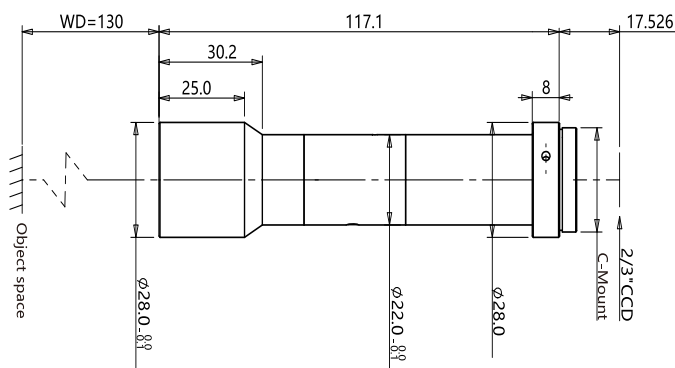


WWH08-130AT



WWH

•	/	/	(x)	0.8
•	CCD		WD(mm)	130±2
•			CCD (mm)	11(2/3")
•			F/#	12.6
•			(° max)	<0.1
•			(%)	<0.1
•			NA	0.0316
			(um)	10.6
			(mm)	1.6

(mm x mm)

		C	1/2" (6.4x4.8)	8.0x6.0
(mm)		117.1	1/1.8" (7.13x5.37)	8.9x6.7
/		/	2/3" (8.8x6.6)	11.0x8.3

