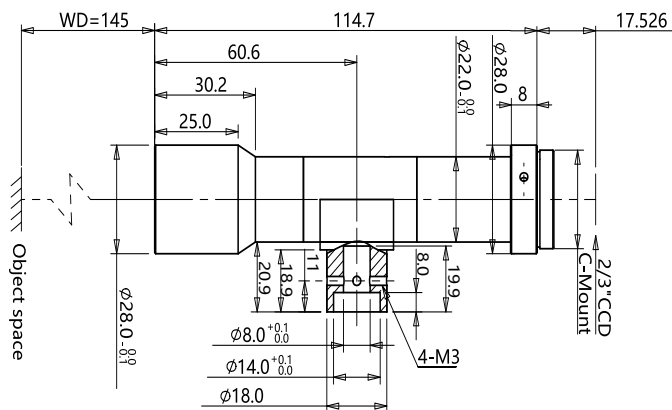


# WWH07-145CT



## WWH

•	/	/	(x)	0.7
•	CCD		WD(mm)	145±2
•			CCD (mm)	11(2/3")
•			F/#	16.8
•			(° max)	<0.1
•			(%)	<0.1
•			NA	0.0207
			(um)	16.2
			(mm)	2.7

(mm x mm)

		C	1/2" (6.4x4.8)	9.1x6.9
(mm)		114.7	1/1.8" (7.13x5.37)	10.2x7.7
/		/	2/3" (8.8x6.6)	12.6x9.4

