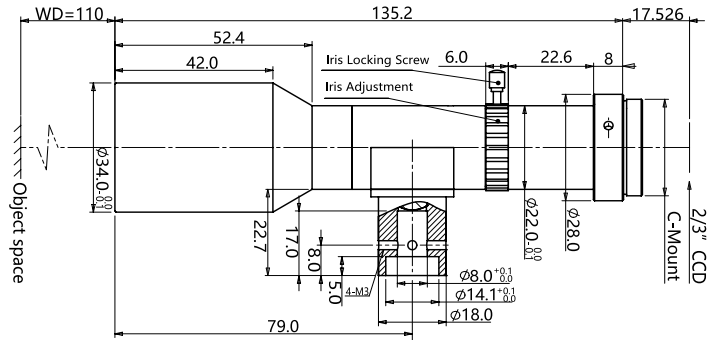


# WWH05-110CT-G



## WWH

•	/	/	(x)	0.5
•	CCD		WD(mm)	110±2
•			CCD (mm)	11(2/3")
•			F/#	9.6~25.7
•			(° max)	<0.1
•			(%)	<0.1
•			NA	0.026
			(um)	12.9
			(mm)	2.0~9.0

(mm x mm)

	C	1/2" (6.4x4.8)	12.8x9.6
(mm)	135.2	1/1.8" (7.13x5.37)	14.3x10.7
/	/	2/3" (8.8x6.6)	17.6x13.2

