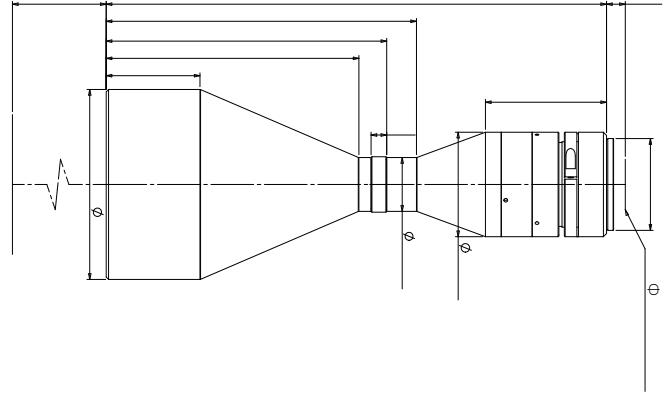


# DTCM71M-90-AL



90  
0.433  
208±3  
39  
10.2  
>85  
±4.2@F20  
<0.1  
<0.1  
540±3



M58 or other  
320.2  
2.3