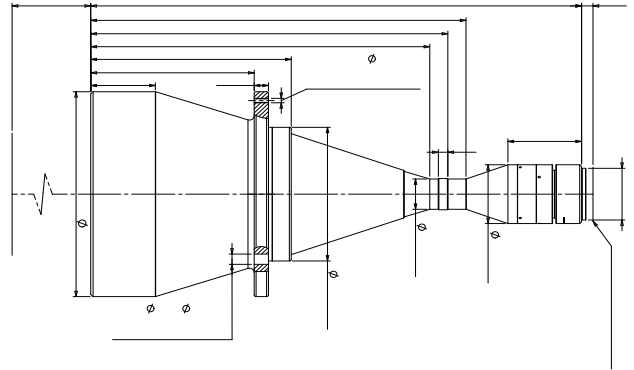
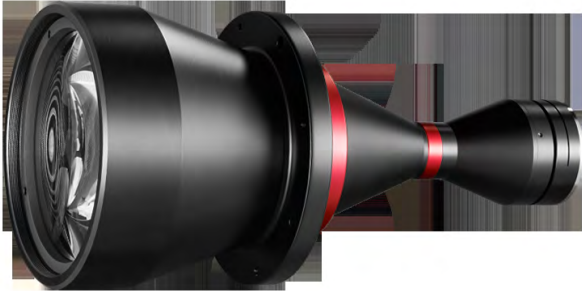


# DTCM71M-190H-AL



190  
0.205  
330±5  
39  
6.5  
>135  
±10.5@F11  
<0.1  
<0.1  
858±5



M58 or Other  
516.4  
10.2