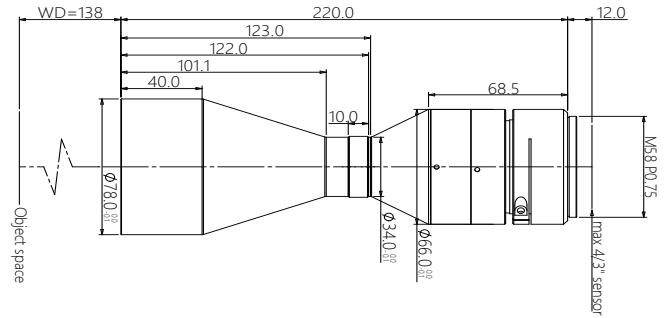


# DTCM430-56-AL



26 300  
4/3" 5 /

( )	56
( )	0.429
( )	138±3
( )	24(4/3")
/#	8.1
30 ( / )	>110
( )	±3.4@F16
(% )	<0.1
( )	<0.1
/ ( )	370±3

-56- -

56



( )

( )	M42/M48/M58	4/3"	21 (1 . 6 14.32)	41.6 33.4
( )	220.0	4/3"	12 (1 .43 13. 2)	43.0 32.2
( )	1.2	4/3"	000 (1 .4 13. 3)	43.1 32.0