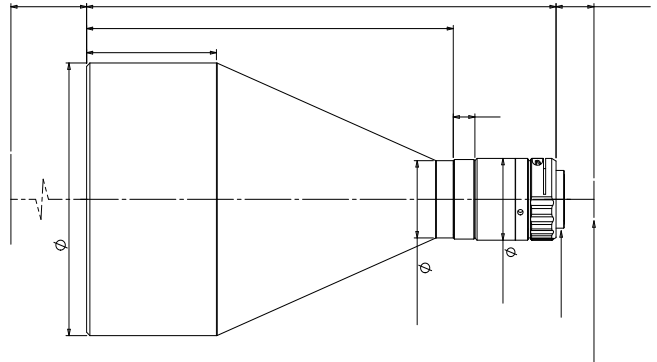


DTCM230-90-AL



26 300
1/2.5" 1.1

() 90
() 0.127
() 208±3
() 11.4(2/3")
/# 4.9
30 (/) >180
() ±27.2@F11
(%) <0.1
() <0.1
/ () 443±3

-90- -

90



()

()	C	1/1.8"	76 570 (7.2 5.4)	56.7 42.5
()	217.0	1/1.7"	226 (7.5 5.6)	59.1 44.1
()	1.8	2/3"	250/264 (8.45 7.1)	66.5 55.9