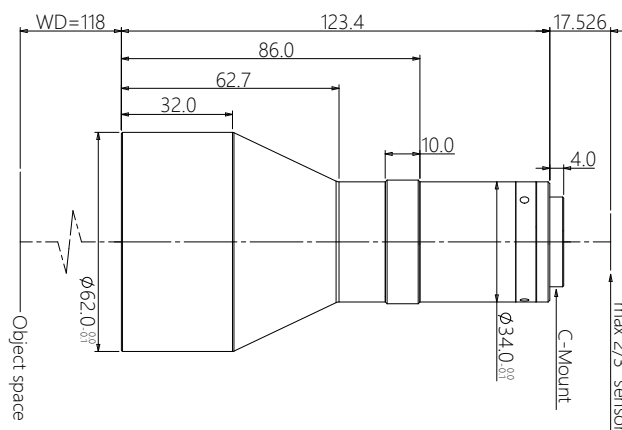


DTCM230-42



-
- FOV 26mm 300mm
- 1/2.5" ~ 1.1" C
-

FOV(mm)	42
(x)	0.271
WD(mm)	118±3
CCD (mm)	11.4(2/3")
F/#	4.9
MTF30 (lp/mm)	>185
DoF(mm)	±6.0@F11
(% max)	<0.1
(° max)	<0.1
I/O(mm)	259±3

DTCL-42-xW-y

42mm



(mm x mm)

	C	1/1.8" EV76C570 (7.2x5.4)	26.6x19.9
(mm)	123.4	1/1.7" IMX226 (7.5x5.6)	27.7x20.7
(kg)	0.4	2/3" IMX250/264 (8.45x7.1)	31.2x26.2