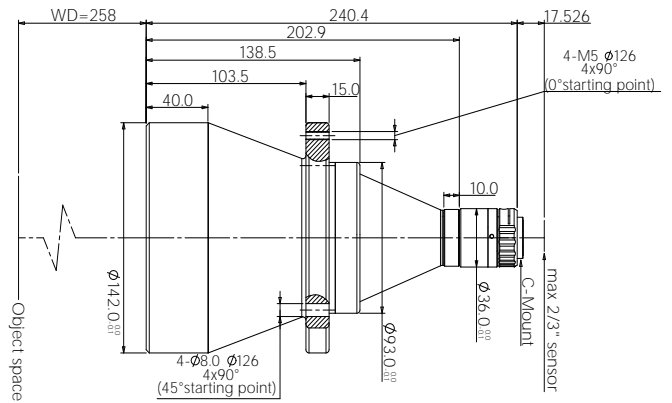


# DTCM230-100-AL



- 
- FOV 26mm 300mm
- 1/2.5" ~ 1.1" C
- 

FOV( mm)  
(x)  
WD(mm)  
CCD ( mm)  
F/#  
MTF30 (lp/mm)  
DoF(mm)  
(% max)  
(° max)  
I/O(mm)

DTCL-100-xW-y

100mm



(mm x mm)

(mm)  
(kg)

1/1.8" EV76C570 (7.2x5.4)	63.2x47.4
1/1.7" IMX226 (7.5x5.6)	65.8x49.1
2/3" IMX250/264 (8.45x7.1)	74.1x62.3