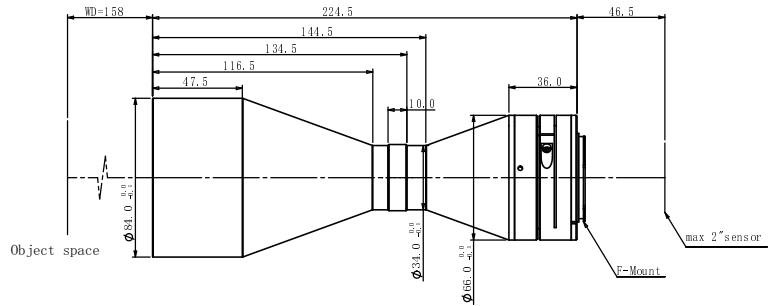


# DTCM210-64H-AL



@f



$\phi < B$

64

5 < F<sub>35</sub>



0.516

4 F<sub>3.3</sub>, M<sub>1/4</sub>



158±3



4 > 8



9.7



±3%

>90

F<sub>1</sub>



±3.3@F20



<0.1



<0.1

∅5S

429±3



@f

∅S

M

F

293^

^

B

224.5

6341^

^

M<sub>1</sub> M<sub>2</sub>

1.4

