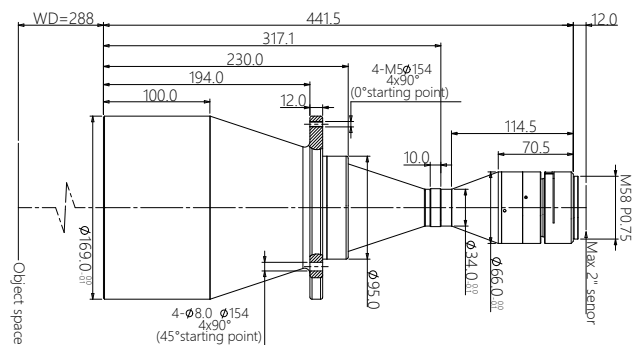


DTCM210-136-AL



D C			F ()	136
F	26	300	()	0.243
	4/3"	59	D()	288±5
		/F	CCD ()	33(2")
			F/#	7.8
			F30 (/)	>110
			D F()	±10.8@F16
			(%)	<0.1
			()	<0.1
D C -136-			/ ()	742±5

136



()

M42/M48/M58

2" DA A 12 (24.58 18.43)

101.2 75.8

()

441.5

2" 25 (23.04 23.04)

94.8 94.8

()

4.8