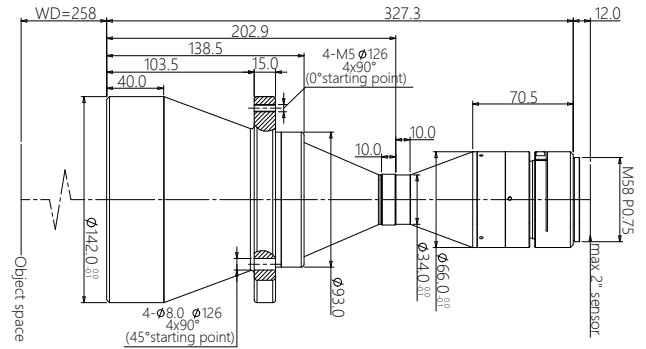


DTCM210-100-AL



- DTCM
- FOV 26mm 300mm
- 4/3" ~ 59mm M/F
-
-

- FOV(mm)
- (x)
- WD(mm)
- CCD (mm)
- F/#
- MTF30 (lp/mm)
- DoF(mm)
- (% max)
- (° max)
- I/O(mm)

DTCL-100-xW-y

100mm



(mm x mm)

(mm)
(kg)

2" DALSA 12M (24.58x18.43) 74.5x55.8
2" PYTHON 25K (23.04x23.04) 69.8x69.8