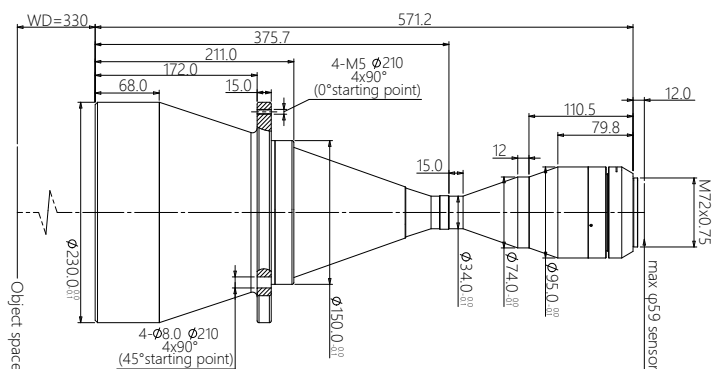


DTCM16K-190H-AL



190

0.311

330±5

59

8.7

>100

±6.6@F16

<0.1

<0.1

913±5



M72

571.2

11.1