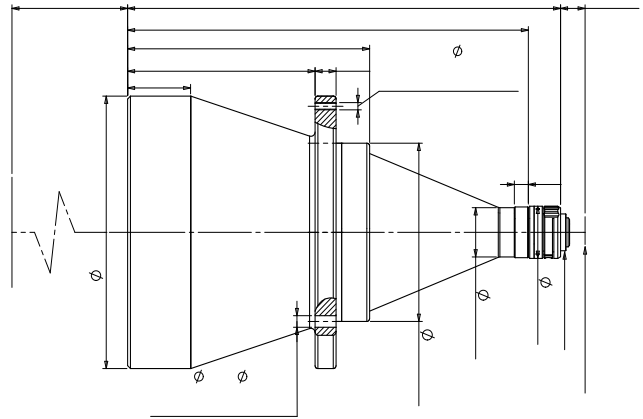


DTCM125-150-AL



D C

F 26 300
1/2.5" 1.1 C

F () 150
() 0.048
D() 300±5
CCD () 7.2(1/2.5")
F/# 4.2
F30 (/) >210
D F() ±190@F11
(%) <0.1
() <0.1
I/ () 627±5

D C -150- -

150



()

() C
() 309.5
() 5.7

1/3" A 130/ J33 (4.8 3.6) 100.0 75.0
1/2.5" 9 001/31 (5.7 4.28) 118.8 89.2

