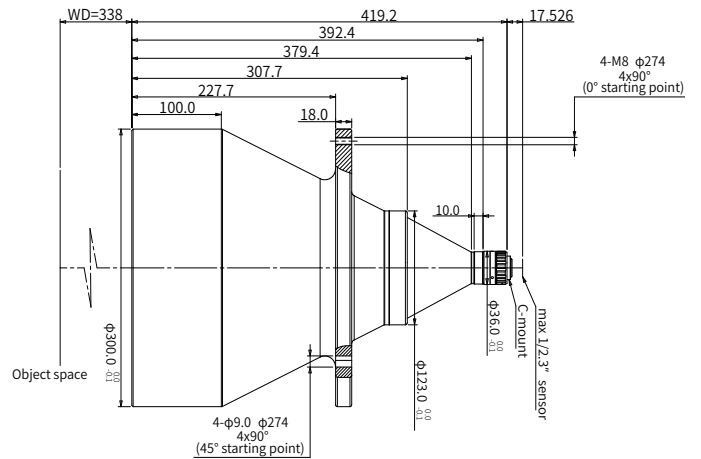


DTCM120-258-AL



DTCM

-
- FOV 26mm 300mm
- 1/2.5" ~ 1.1" C
-

FOV(mm)	258
(x)	0.031
WD(mm)	338±5
CCD (mm)	8.0(1/2")
F/#	4.2
MTF30 (lp/mm)	>210
DoF(mm)	±458@F11
(% max)	<0.1
(° max)	<0.1
I/O(mm)	775±5

(mm x mm)

	C	1/2.5" 9P001/31 (5.7x4.28)	183.9x138.1
(mm)	419.2	1/2.3" 9J003 (6.44x4.62)	207.7x149.0
(kg)	-		

