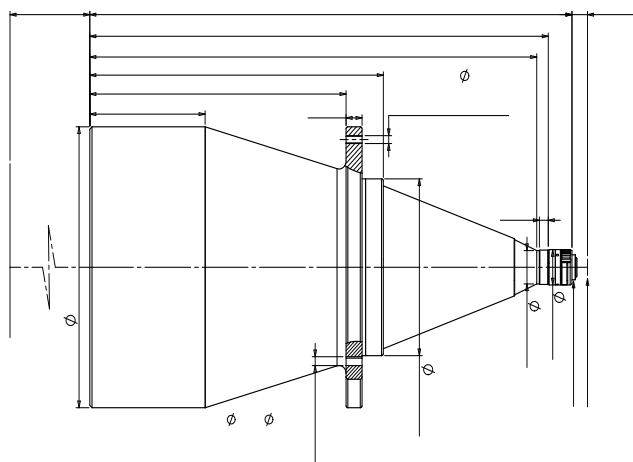


DTCM120-240H-AL



DTCM

-
- FOV 26mm 300mm
- 1/2.5" ~ 1.1" C
-

FOV(mm)	240
(x)	0.033
WD(mm)	410±6
CCD (mm)	8.0(1/2")
F/#	4.2
MTF30 (lp/mm)	>210
DoF(mm)	±397@F11
(% max)	<0.1
(° max)	<0.1
I/O(mm)	971±6

DTCL-240H-xW-y

240mm



(mm x mm)

	C	1/2.5" 9P001/31 (5.7x4.28)	172.7x129.7
(mm)	543.8	1/2.3" 9J003 (6.44x4.62)	195.2x140.0
(kg)	19.0		

