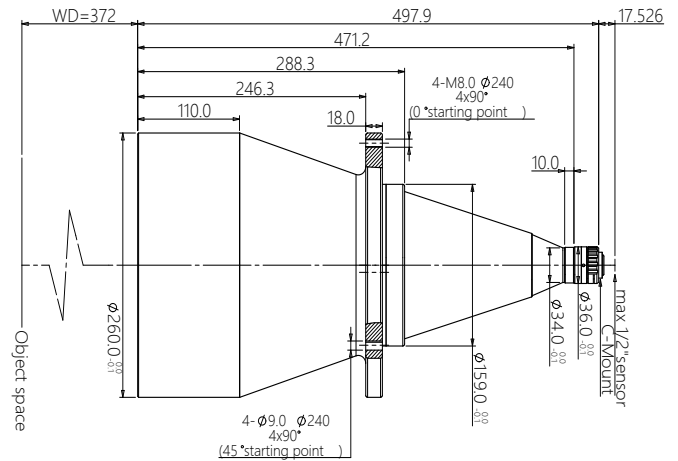


DTCM120-216-AL



DTCM

-
- FOV 26mm 300mm
- 1/2.5" ~ 1.1" C
-

FOV(mm)	216
(x)	0.037
WD(mm)	372±5
CCD (mm)	8.0(1/2")
F/#	4.2
MTF30 (lp/mm)	>210
DoF(mm)	±321@F11
(% max)	<0.1
(° max)	<0.1
I/O(mm)	887±5

DTCL-216-xW-y

216mm



(mm x mm)

	C	1/2.5" 9P001/31 (5.7x4.28)	154.1x115.7
(mm)	497.9	1/2.3" 9J003 (6.44x4.62)	174.1x124.9
(kg)	13.7		

