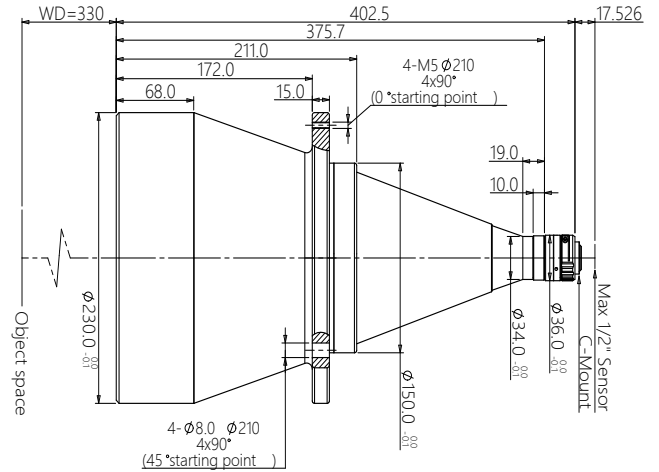


DTCM120-190H-AL



DTCM

-
- FOV 26mm 300mm
- 1/2.5" ~ 1.1" C
-

FOV(mm)

(x)

WD(mm)

CCD (mm)

F/#

MTF30 (lp/mm)

DoF(mm)

(% max)

(° max)

I/O(mm)

DTCL-190H-xW-y

190mm



(mm x mm)

1/2.5" 9P001/31 (5.7x4.28)

135.7x101.9

1/2.3" 9J003 (6.44x4.62)

153.3x110.0

(mm)

(kg)

