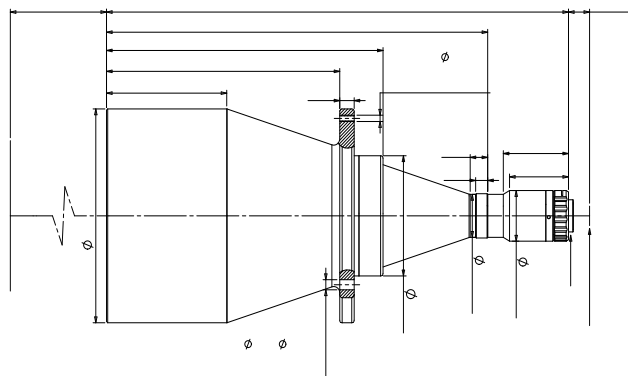


DTCM111-136-AL



-
- FOV 26mm 300mm
- 1/2.5" ~ 1.1" C
-

FOV(mm)	136
(x)	0.135
WD(mm)	288±5
CCD (mm)	18.4(1.1")
F/#	6.2
MTF30 (lp/mm)	>150
DoF(mm)	±24.1@F11
(% max)	<0.1
(° max)	<0.1
I/O(mm)	690±5

DTCL-136-xW-y



136mm

(mm x mm)

	C	1" IMX183 (13.13x8.76)	97.3x64.9
(mm)	384.3	1.1" IMX253 (14.19x10.38)	105.1x76.9
(kg)	4.3		