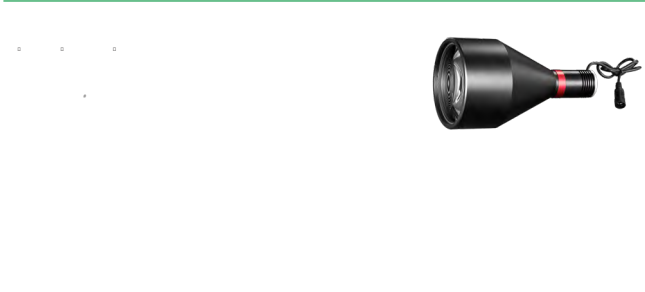
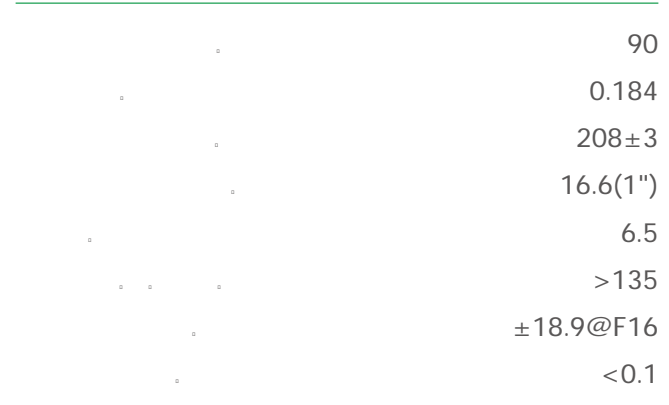
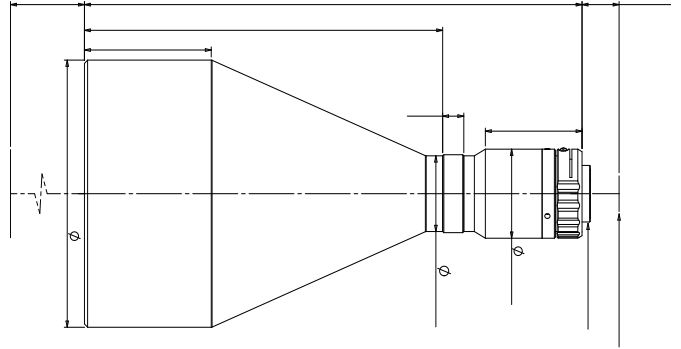


DTCM110-90-AL



90
0.184
208±3
16.6(1")
6.5
>135
±18.9@F16
<0.1
<0.1
461±3

C
235.5
1.8