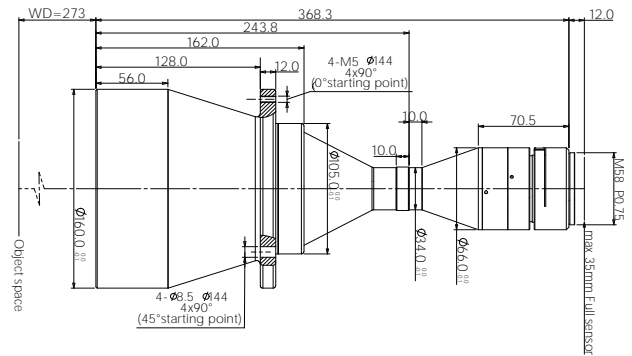


DTCM210-120H-M58-AL

()



DTCM

- DTCM
- FOV 26mm 300mm
- 4/3" ~ 59mm M/F
-
-

FOV(mm)	120
(x)	0.275
WD(mm)	273±5
CCD (mm)	33(2")
F/#	7.8
MTF30 (lp/mm)	>115
DoF(mm)	±8.5@F16
(% max)	<0.1
(° max)	<0.1
I/O(mm)	653±5

DTCL-120H-xW-y

120mm



(mm x mm)

	M42/M48/M58	2" DALSA 12M (24.58x18.43)	89.4x67.0
(mm)	368.3	2" PYTHON 25K (23.04x23.04)	83.8x83.8
(kg)	4.8		

